

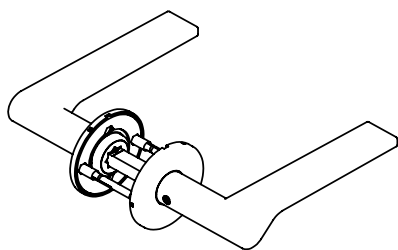
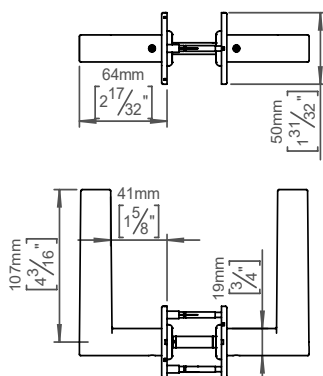
# Lever handle

## Onen collection

**Product** Snap-on cover, cc 30/38mm, 33-59mm, pair.

**Tender text** ONEN collection, lever handle ONEN pair, 8x8mm, snap-on cover, cc 30/38mm, 33-59mm in satin finished AISI 304 stainless steel. Certified in accordance with EN 1906 to 47-B1140U. 20-year warranty.

**Product specification** Dimensions: 132x50x64mm  
Material: stainless steel AISI 304  
Surface finish: satin finished/teak  
[20-year warranty \(5 years for coated items\)](#)



### Available finishes

Solid metal



Satin steel

**Spare parts/ accessories**

- 14970102019 - Grub screw M5x8,3mm
- 14296174107 - Sectioned bolt set M4x10mm with bush
- 14285092092 - Spindle for door 33-59mm
- 14976700105 - TX10 tool kit
- 14293002002 - Snap-on cover tool

**Mounting** <https://dline.com/mounting-instructions/>

### Product care

d line products are produced in the highest quality AISI 304 stainless steel. To sustain the unique d line finish please follow the below instructions:

- Wash down the surfaces using soapy water or mild detergent
  - Always thoroughly rinse off with clean water
  - To complete the cleaning procedure dry/polish the surface with a soft dry cloth
- Please do not use scouring powder, steel wool, chloride based detergents or other aggressive cleaning products as these may damage the surface.
- If spots or corrosion appear on the surface it is not due to the stainless steel quality, but to impurities in the environment, aggressive conditions or improper or insufficient cleaning.