

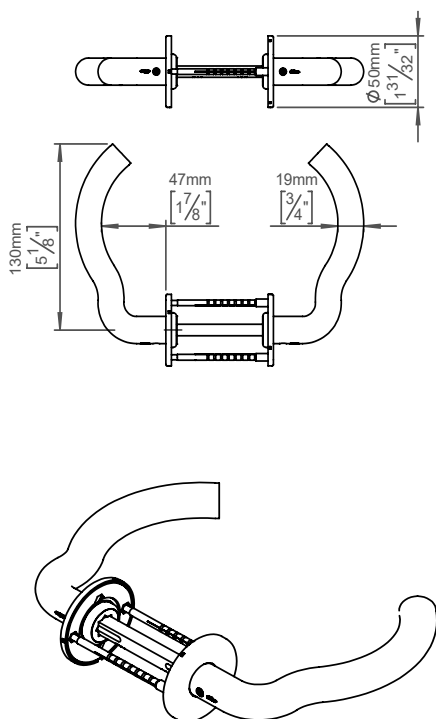
# Lever handle M

## Knud Holscher collection

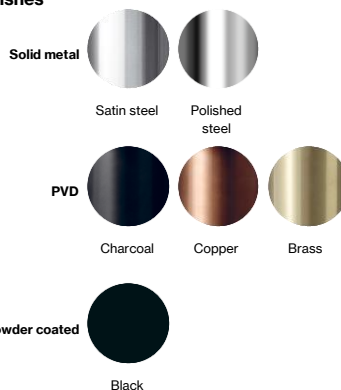
**Product** 19M, pair, 8x8mm, snap-on cover, cc 30/38mm, 33-44mm.

**Tender text** Knud Holscher collection, lever handle 19M pair, 8x8mm, snap-on cover, cc 30/38mm, 33-44mm. Manufactured in the highest quality marine grade, AISI 316 stainless steel, protecting against high levels of corrosion. Unique ball bearing system to secure extraordinary long lifespan. Certified in accordance with EN 1906 to 47-B1140U. Fire tested in accordance with EN 1634. 20-year warranty.

**Product specification** Dimensions: 155x50x70mm  
Diameter: Ø19mm  
Material: stainless steel AISI 316  
Surface finish: satin grain 320, crafted by hand  
[20-year warranty \(5 years for coated items\)](#)



### Available finishes



**Spare parts/ accessories** 14970102019 - Grub screw M5x8,3mm  
14296174107 - Sectioned bolt set M4x10mm with bush  
14281092092 - Spindle for door 33-59mm  
14976700105 - TX10 tool kit  
14293002002 - Snap-on cover tool

**Mounting** <https://dline.com/mounting-instructions/>

### Product care

d line products are produced in the highest quality marine grade AISI 316 stainless steel. To sustain the unique d line finish please follow the below instructions:

- Wash down the surfaces using soapy water or mild detergent
  - Always thoroughly rinse off with clean water
  - To complete the cleaning procedure dry/polish the surface with a soft dry cloth
- Please do not use scouring powder, steel wool, chloride based detergents or other aggressive cleaning products as these may damage the surface.
- If spots or corrosion appear on the surface it is not due to the stainless steel quality, but to impurities in the environment, aggressive conditions or improper or insufficient cleaning.