

PRODUCT DOCUMENTATION



Product Name: Lever handle 19B, pair 8x8 mm

Article Number: 14.2416.02.010

Satin stainless steel

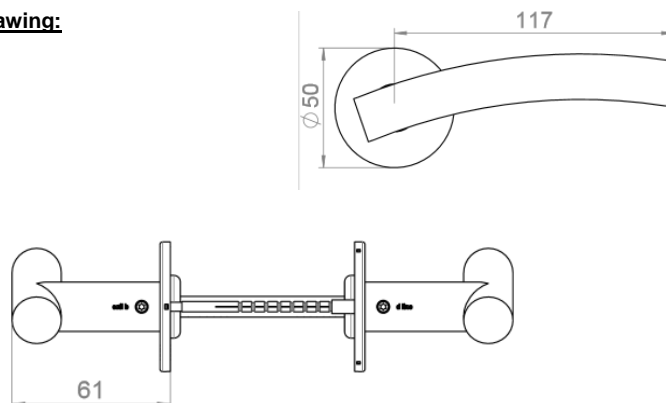
16.2416.02.010

Polished stainless steel

Photo:



Drawing:



Product Information:

Material: AISI 316 stainless steel
Surface finish: Satin 320 grain or polished
Material thickness/radius: \varnothing 19 mm
Height: Width: Depth:
50 mm 142 mm 61 mm

Certificate: EN 1906, Class 4
Warranty: 20 years (non-mechanical/-electronic parts)

Product Specification:

d line 19 mm C shaped lever handle, Snap on cover cc 30/38mm for

Product information:

d line 19 mm B pair shaped lever handle, for 8x8mm spindle, snap on cover 30/38, 33-59 mm, AISI 316 satin stainless steel.

d line 19 mm B pair shaped lever handle, for 8x8mm spindle, snap on cover 30/38, 33-59 mm, AISI 316 polished stainless steel.

d line products are always produced in the highest quality stainless steel AISI 316. d line is a simple and functional design, but the minimalistic exterior hides advanced technic that ensures the hardware's strength and durability for many years.

Spare Parts/Accessories:

All ball bearing roses and back plates made by d line, screws, spindles and tools available.

14.9701.02.016 Crub screw M5x6,3
14.2961.74.107 Section bolt set M4x110 with bush
14.2810.92.115 Spindle for door 59-85 mm
14.2935.00.089 Fixing tool f/ball bearing roses

Related Products:

Mounting:

See instruction supplied with the product

Packing:

1 pair in a bag, 5 bags per box

Maintenance:

Wash down with mild detergent, rinse off with clean water, and dry off with soft dry cloth. Please do not use scouring powders, steel wool or aggressive cleaning products as these may damage the surface. If spots appear on the surface it is not due to the stainless steel, but to impurities in the environment or the use of aggressive cleaning agents.

Environment:

No environmental risk and no risk of fire.