

Paper dispenser

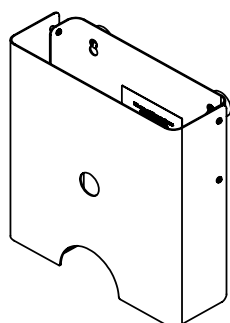
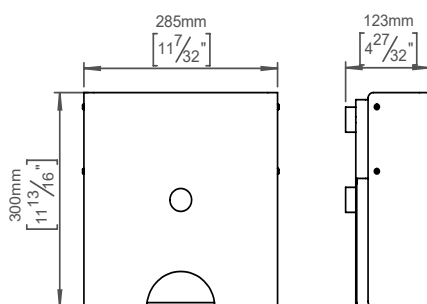


Knud Holscher collection

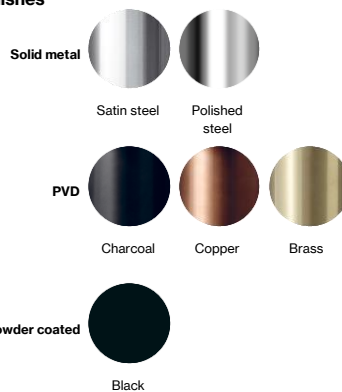
Product Wall mounted, without lid.

Tender text Knud Holscher collection, paper towel dispenser, wall mounted, without lid, self-tapping screws included. Manufactured in the highest quality marine grade, AISI 316 stainless steel, protecting against high levels of corrosion. 5-year warranty

Product specification Dimensions: 285x300x123mm
Material: stainless steel AISI 316
Surface finish: satin grain 320, crafted by hand
[5-year warranty \(5 years for coated items\)](#)



Available finishes



Spare parts/ accessories 14708000000 - Paper towels
P 453 - Ø4.5x70/plug 8x40 set 3 pcs.
14983400320 - Drill template 147084/85

Mounting <https://dline.com/mounting-instructions/>

Product care

d line products are produced in the highest quality marine grade AISI 316 stainless steel. To sustain the unique d line finish please follow the below instructions:

- Wash down the surfaces using soapy water or mild detergent
 - Always thoroughly rinse off with clean water
 - To complete the cleaning procedure dry/polish the surface with a soft dry cloth
- Please do not use scouring powder, steel wool, chloride based detergents or other aggressive cleaning products as these may damage the surface.
If spots or corrosion appear on the surface it is not due to the stainless steel quality, but to impurities in the environment, aggressive conditions or improper or insufficient cleaning.