

Toilet roll holder f/ barrier-free grab rail

Knud Holscher collection

Product

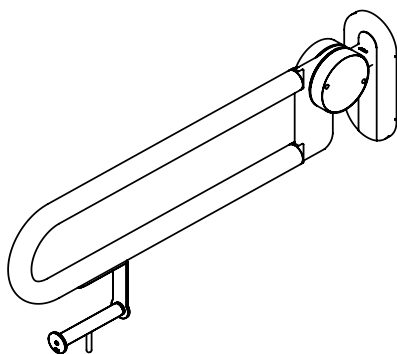
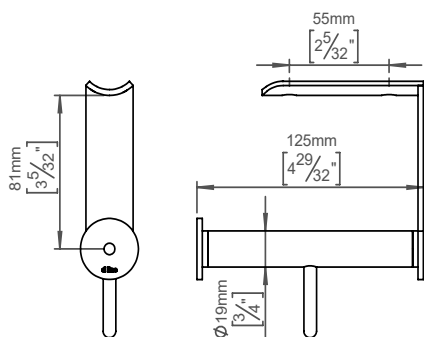
w/pin.

Tender text

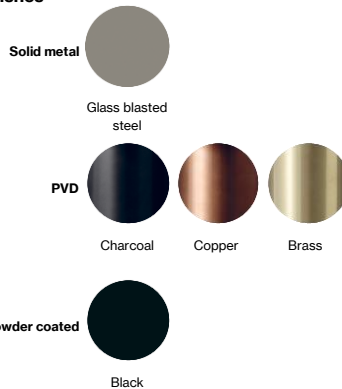
Knud Holscher collection, toilet Roll Holder, f/ barrier free grab rail, with pin. Manufactured in the highest quality marine grade, AISI 316 stainless steel, protecting against high levels of corrosion. 20-year warranty.

Product specification

Dimensions: 32x134,4x125mm
 Material: stainless steel AISI 316
 Surface finish: glass blasted
[20-year warranty \(5 years for coated items\)](#)



Available finishes



Spare parts/ accessories

Mounting

<https://dline.com/mounting-instructions/>

Product care

d line products are produced in the highest quality marine grade AISI 316 stainless steel. To sustain the unique d line finish please follow the below instructions:

- Wash down the surfaces using soapy water or mild detergent
 - Always thoroughly rinse off with clean water
 - To complete the cleaning procedure dry/polish the surface with a soft dry cloth
- Please do not use scouring powder, steel wool, chloride based detergents or other aggressive cleaning products as these may damage the surface.
- If spots or corrosion appear on the surface it is not due to the stainless steel quality, but to impurities in the environment, aggressive conditions or improper or insufficient cleaning.