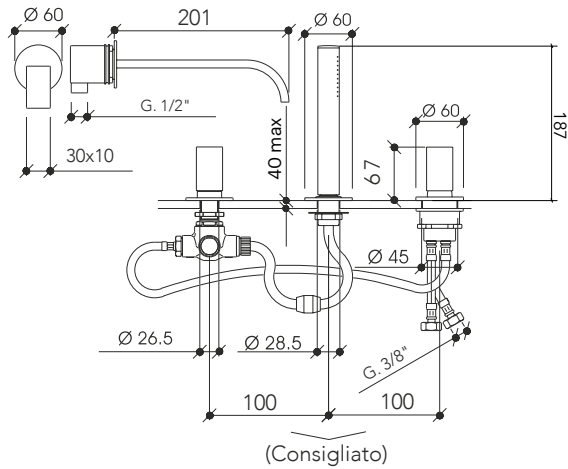
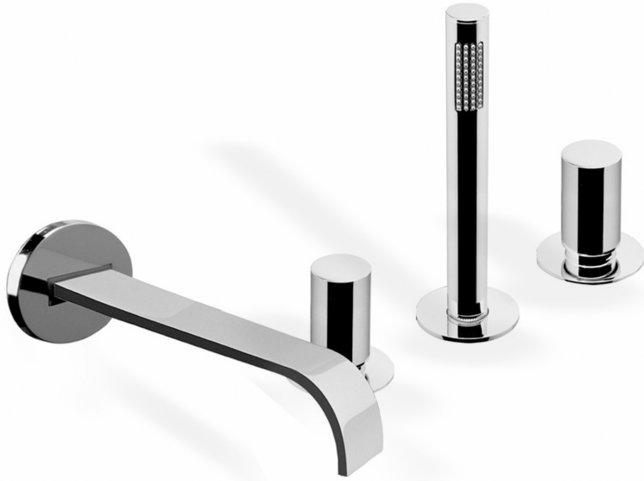


C-BP42/ME

Collection C



DESCRIPTION

Battery for bath with 201 mm spout on wall, hand shower and mixer on top.

Made of brass.

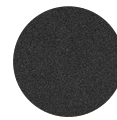
COMPONENTS

- Ceramic cartridge.
- 1/2" recessed body thread.

FLOW RATES

3.0 bar	13,3 l/min	Spout
3.0 bar	12,8 l/min	Hand shower

FINISHES AVAILABLE



Matt black



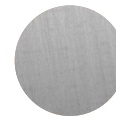
Matt white



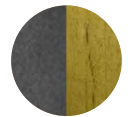
Brushed gold



Chrome



Brushed nickel



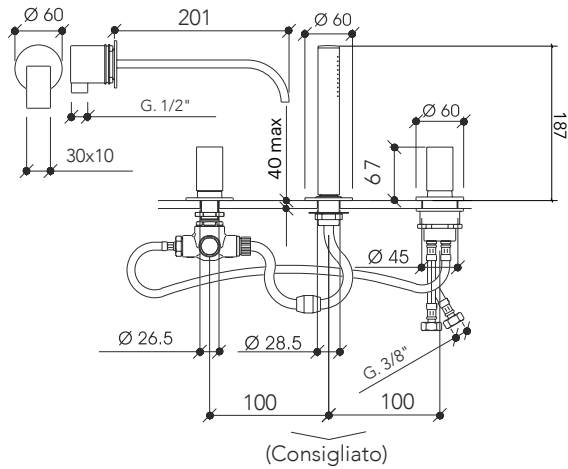
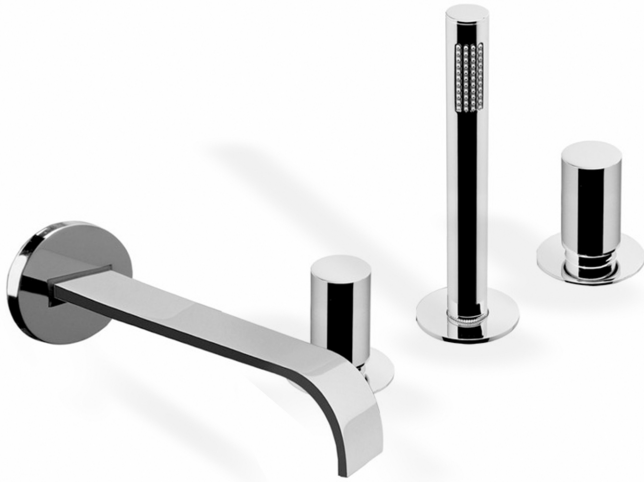
Crude

AVAILABILITY OF SHOWER HOSES ACCORDING TO FINISHES

Chrome	Metal chrome
Matt black	Black PVC
Matt white	White PVC
Brushed gold	Metal gold
Brushed nickel	Metal chrome
Crude	Natural brass

C-BP42/ME

Collezione C



DESCRIZIONE

Sistema di vasca da bagno, con deviatore, bocca e Doccetta.

Fabbricato in ottone.

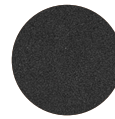
COMPONENTI

- Cartuccia in ceramica.
- Filettatura di corpo a incasso 1/2".

PORTATE

3.0 bar	13,3 l/min	Canna
3.0 bar	12,8 l/min	Doccetta

FINITURA DISPONIBILI



Nero
opaco



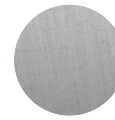
Bianco
opaco



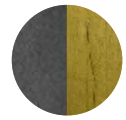
Oro
spazzolato



Cromo



Nichel
spazzolato



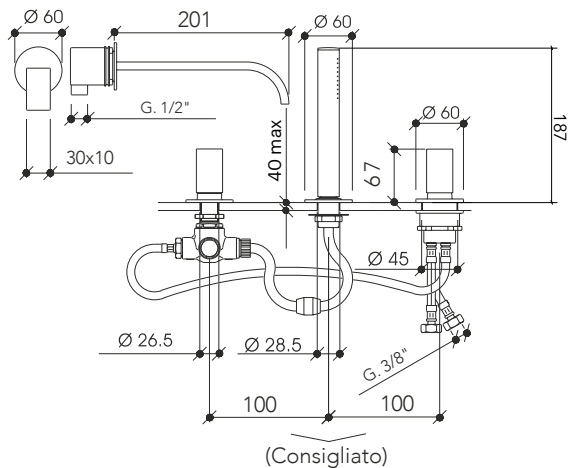
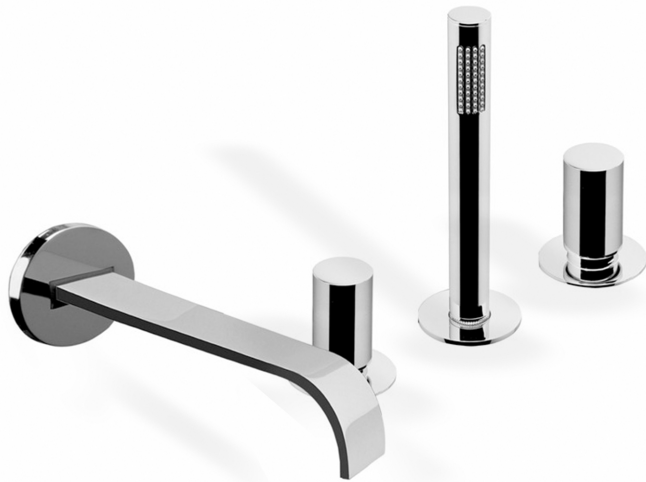
Crude

DISPONIBILITÀ FLESSIBILI SECONDO FINITURE

Cromo	Cromo metallico
Nero opaco	PVC Nero
Bianco opaco	PVC Bianco
Oro spazzolato	Oro metallico
Nichel spazzolato	Cromo metallico
Crude	Ottone naturale

C-BP42/ME

Collection C



DESCRIPTION

Système de baignoire, avec inverseur, bec de remplissage et doucheette. .

Fabriqué en laiton.

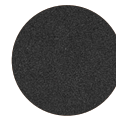
COMPONENTS

- Cartouche céramic.
- Filetage du corps encastré 1/2".

DÉBITS

3.0 bar	13,3 l/min	Bec
3.0 bar	12,8 l/min	Doucheette à main

FINITIONS DISPONIBLES



Noir
mat



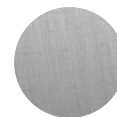
Blanc
mat



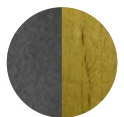
Or
brossé



Chrome



Nickel
brossé



Brut

DISPONIBILITÉ DE FLEXIBLE DE DOUCHE SELON LES FINITIONS

Chrome	Chrome métallique
Noir mat	PVC Noir
Blanc mat	PVC Blanc
Or brossé	Or métallique
Nickel brossé	Chrome métallique
Brut	Laiton naturel