

# 5003.0808

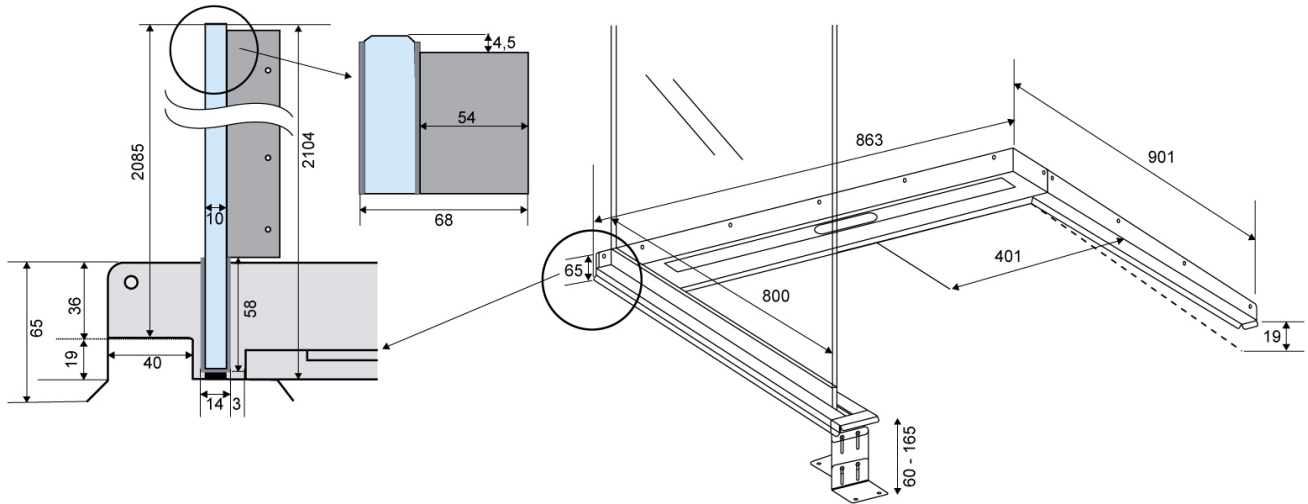
ShowerLine (fixed module) 5003

For left-aligned shower screen



## Specifications

<b>ITEM NUMBER</b>	<b>GTIN NUMBER</b>	<b>WEIGHT INCLUDING PACKAGING</b>
5003.0808	5707692009537	7000 g
<b>WEIGHT EXCLUDING PACKAGING</b>	<b>MATERIAL</b>	<b>SURFACE</b>
5000 g	1,5 mm stainless steel (AISI 304)	Pickled
<b>MEMBRANE</b>	<b>FLOOR CONSTRUCTION</b>	<b>FLOORING</b>
Liquid or sheet membrane	Concrete/wood	Tiles
<b>CENTER</b>	<b>FRAME (R)</b>	<b>SHOWER SCREEN DEPTH</b>
401 mm	795 mm	800 mm
<b>INSTALLATION DEPTH (D)</b>	<b>INSTALLATION DIMENSIONS (A)</b>	<b>SLOPE</b>
901 mm	863 mm	19 mm



**5003.0808**

Products