

5002.0808

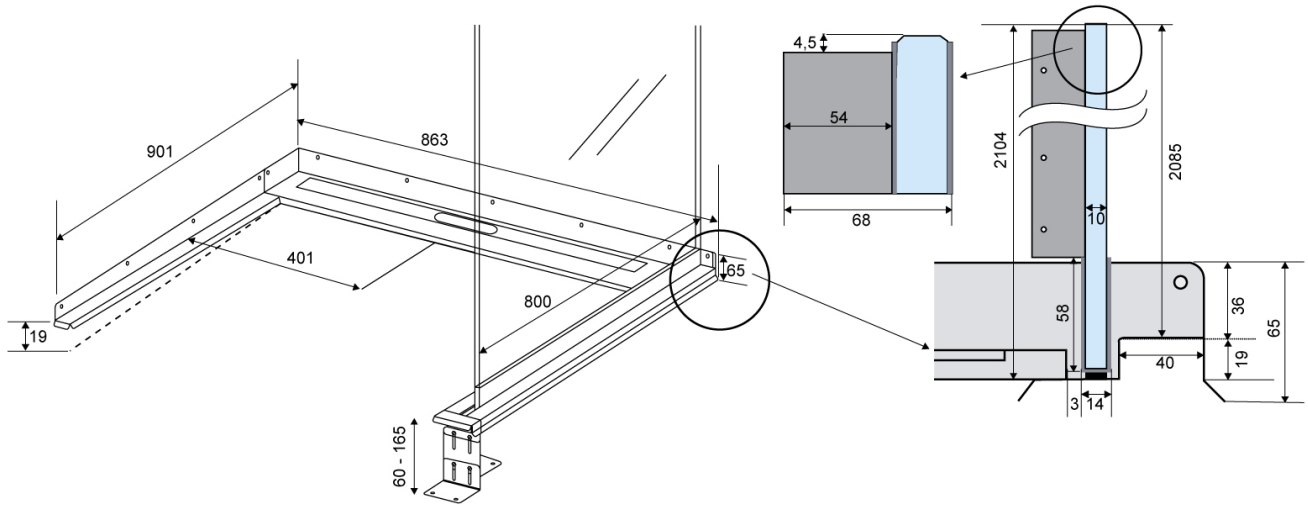
ShowerLine (fixed module) 5002

For right-aligned shower screen



Specifications

ITEM NUMBER	GTIN NUMBER	WEIGHT INCLUDING PACKAGING
5002.0808	5707692009520	7000 g
WEIGHT EXCLUDING PACKAGING	MATERIAL	SURFACE
5000 g	1,5 mm stainless steel (AISI 304)	Pickled
MEMBRANE	FLOOR CONSTRUCTION	FLOORING
Liquid or sheet membrane	Concrete/wood	Tiles
CENTER	FRAME (R)	SHOWER SCREEN DEPTH
401 mm	795 mm	800 mm
INSTALLATION DEPTH (D)	INSTALLATION DIMENSIONS (A)	SLOPE
1001 mm	863 mm	19 mm



5002.0808

Products